



Angle Valve



*Flush
Valve*



*Health
Faucets*



*Concealed
Cisterns*

હાથ ધોવા માટેના ફિટિંગ, શાવર, ડબ્લ્યુસી અથવા યુરિનલ્સ માટે ના પાણી નું નિયમન માટેના એંગલ વોલ્વ, અથવા હીટીંગ, ગેસ અથવા વોશિંગ મશીન જેવી ઘરેલુ ઉપકરણોને જોડવા માટે ફિટિંગ - તમામ સ્થળો જ્યાં મજબૂત, સ્વાસ્થ્યપ્રદ અને સીત-કાર્યક્ષમ સોલ્યુશન્સની જરૂર છે તેના માટે શેલ ફિટિંગ્સ છે.

અને ખાસ કરીને સાર્વજનિક, જાહેર અને વ્યવસાયિક સેનિટરી રૂમો માં જ્યાં ખુબજ વપરાશ હોય છે ત્યાં ઘણા વર્ષો થી કસોટી માં ખરા ઉતરેલ છે.

Product overview

LipuMobilin-P NS 0.3 – oval grease separator made of polyethylene for free-standing installation



ACO Product advantages

- Easy to install because of low weight and compact dimensions
- Odour-proof manhole cover
- Simple emptying and cleaning
- Flexible connection options
- used as pre-separator for large scale projects

Product information

- Made of polyethylene
- With integrated sludge trap
- For free-standing installation in frost-proof areas
- Inlet and outlet OD 50 mm
- Cover OD 350 mm

Dimensional drawing

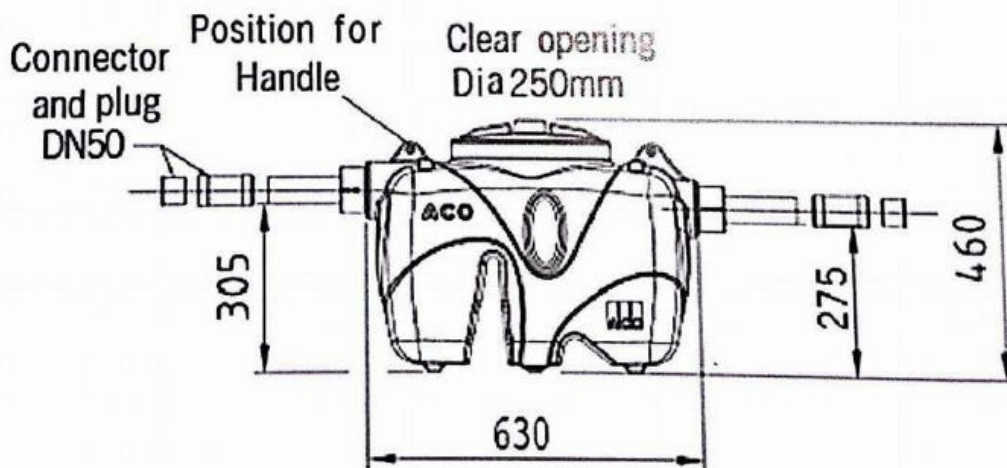


Table of dimensions

NS	Sludge trap [l]	Grease storage volume [l]	Total [l]	Weight empty [kg]	Weight full [kg]	Article No.
0.3	11	10	36	7.6	55	155121

ACO Light Oil Separators Coalisator-P

AS PER EN 858 AND DIN 1999-100

CLASS I

CLASS II

RESIDUAL OIL CONTENT
PER LTR : WATER : 5 MG

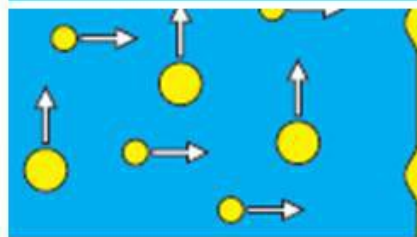
RESIDUAL OIL CONTENT
PER LTR : WATER : 100 MG



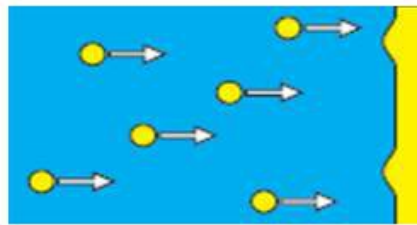
For

- AUTOMOBILE
- PETROL PUMP
- INDUSTRY

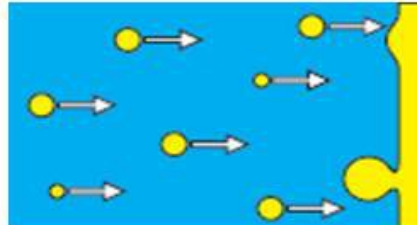
Coalisator-P - Function



Small Oil droplets that Are not separated due To their density difference to water meet the Oil- friendly Coalescence Element and bond



The oil drop spread over the coalescence material, And additional oil droplets Are absorbed the oil film continues to grow.



The adhesion of the oil Film is exceeded. A large drop of oil begins to separate, floats upward and Can therefore be separated.



EXIM PRODUCTS



MULTI-LAYER COMPOSITE PIPING SYSTEM



UNIQUE PIPE



- CORROSION & SCALE FREE
- IMPERMEABLE TO OXYGEN
- LIGHT & STRONG
- FEWER FITTINGS
- BETTER FLOW
- CLEAN & SAFE
- FORMED BY HAND & STAY IN SHAPE
- EASY TO INSTALL

UNIQUE FEATURES

LEAK PROOF JOINTING DUE TO POSITIVE COMPRESSION FITTING WITH INTERNAL SEALING

Applications:

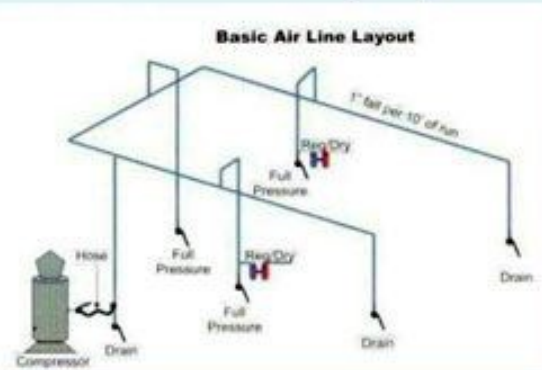
- * Hot and Cold Water Piping
 - * Compressed Air Piping
 - * Chilled water Circulation
 - * Gas Piping
- and so many Applications

EXPENSIVE AIR LEAKS ROB US OF OUR MONEY



CUTTING WASTE MAKES US MORE COMPETITIVE

Contact us for Piping..



Maxflow Enterprise
 216, Anand Mangal 3,
 Ambawadi,
 Ahmedabad-380006.
 M: 9824018996

Email: maxflow@plumbingworld.in

Website: www.plumbingworld.in